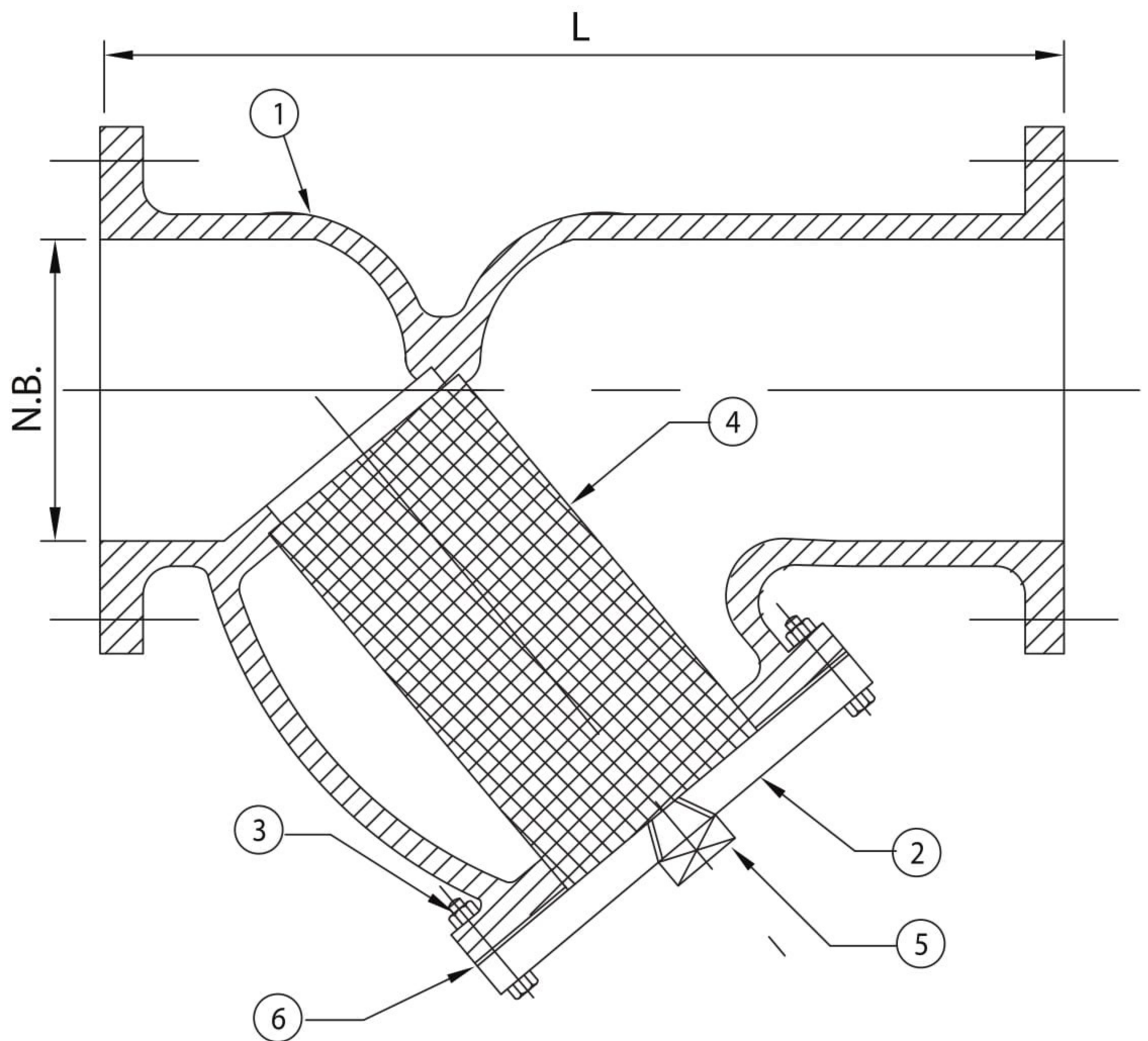


## Technical Specifications - 'Y' TYPE STRAINER

Type of Valve	'Y' Type Strainer, Bolted Cover	
Materials of Construction: a. Body & Cover b. Perforated Mesh (Screen) c. Filtration Area	Cast Iron / Cast Steel / MS Fabricated Stainless Steel 2 1/2 Times Of Flow Area	
Design Testing Standard	Manufacturer's Standard	
Dimension • Flange-to-Flange • Ends	Manufacturer's Standard Flanged to Customers Requirement	
Hydraulic Test Pressure: • Body	15 Kg / Cm <sup>2</sup>	24 Kg / Cm <sup>2</sup>
Range	Cast Iron: 50 mm NB to 300 mm NB Carbon Steel Fabricated: 50 mm NB to 500 mm NB	

Part Name:

1. Body
2. Cover
3. Bolt & Nut
4. Screen
5. Blow Off Plug
6. Gasket



**Note**

- Description given is generalized, may vary as per requirement.
- Specifications given above are subject to change as per revisions in standards without notice.
- Quotations are based on customer's requirement and data. Customers are requested to send specific requirement for an offer.
- All sizes in millimeter

**H. Sarker & Company Valves (P) Ltd.**

**Works:** Phone: +91 33 2653 1214 / 0061 • eMail: hsb1t09@gmail.com

**Regd. Office:** Ajit Sen Bhawan, 13 Crooked Lane, 2nd Floor, Kolkatta 700 069.

Phone: 033-22109163

